



US00D702079S

(12) **United States Design Patent**
Hung

(10) **Patent No.:** **US D702,079 S**

(45) **Date of Patent:** **** *Apr. 8, 2014**

(54) **VALVED CAP FOR BEVERAGE CONTAINER**

(71) Applicant: **Michael Hung**, Hong Kong (HK)

(72) Inventor: **Michael Hung**, Hong Kong (HK)

(*) Notice: This patent is subject to a terminal disclaimer.

(**) Term: **14 Years**

(21) Appl. No.: **29/456,393**

(22) Filed: **May 30, 2013**

(51) **LOC (10) Cl.** **07-02**

(52) **U.S. Cl.**
USPC **D7/392.1**

(58) **Field of Classification Search**
USPC D7/391, 392, 392.1, 396.2, 509-511,
D7/523, 608, 900; D9/443, 446, 447, 449,
D9/450, 453, 505; 215/11.6, 44, 224, 229,
215/306, 311, 387, 388; 220/3.75, 23.83,
220/212.5, 292, 705, 707, 709; 222/83,
222/420, 450, 530, 543

See application file for complete search history.

(56) **References Cited**

U.S. PATENT DOCUMENTS

D416,171 S *	11/1999	Cautereels	D7/392.1
D428,763 S *	8/2000	Hashimoto	D7/392.1
D448,971 S *	10/2001	Hughes	D7/392.1
D477,532 S *	7/2003	Wong	D9/449
D547,607 S *	7/2007	Forsman	D7/396.2
D586,184 S *	2/2009	Miller et al.	D7/511
D592,913 S *	5/2009	Pinelli et al.	D7/608
D613,110 S *	4/2010	Lane et al.	D7/392.1
D620,754 S *	8/2010	Duke	D7/510

D626,838 S *	11/2010	Meyers et al.	D9/443
D627,594 S *	11/2010	Boonprasop	D7/392.1
D634,161 S *	3/2011	Roth et al.	D7/510
D657,618 S *	4/2012	Wahl	D7/392.1
8,191,727 B2 *	6/2012	Davies et al.	220/707
D669,732 S *	10/2012	Hopkins et al.	D7/392.1
8,376,165 B2 *	2/2013	Chiang	215/388
D682,034 S *	5/2013	El-Saden et al.	D7/510
D683,581 S *	6/2013	Archer	D7/392.1
8,544,676 B2 *	10/2013	Roth et al.	220/709

* cited by examiner

Primary Examiner — Susan E Krakower

(74) *Attorney, Agent, or Firm* — Stephen E. Zweig

(57) **CLAIM**

The ornamental design for a valve cap for beverage container, as shown and described.

DESCRIPTION

FIG. 1 is a top front perspective view of the valve cap for beverage container showing my new design.

FIG. 2 is a bottom front perspective view of the valve cap for beverage container.

FIG. 3 is a right side elevation view of the valve cap for beverage container.

FIG. 4 is a left side elevation view of the valve cap for beverage container.

FIG. 5 is a front elevation view of the valve cap for beverage container.

FIG. 6 is a back elevation view of the valve cap for beverage container.

FIG. 7 is a top plan view of the valve cap for beverage container; and,

FIG. 8 is a bottom plan view of the valve cap for beverage container.

1 Claim, 8 Drawing Sheets

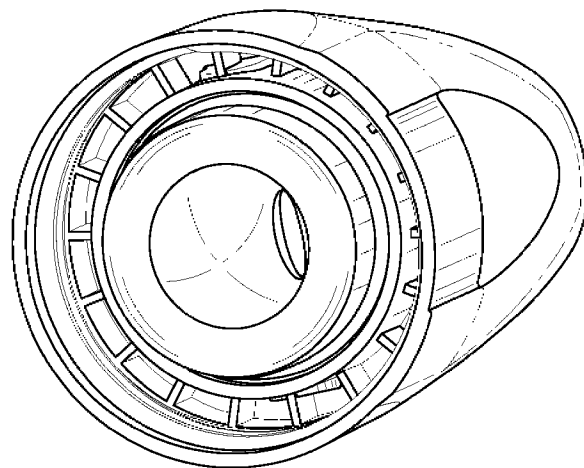
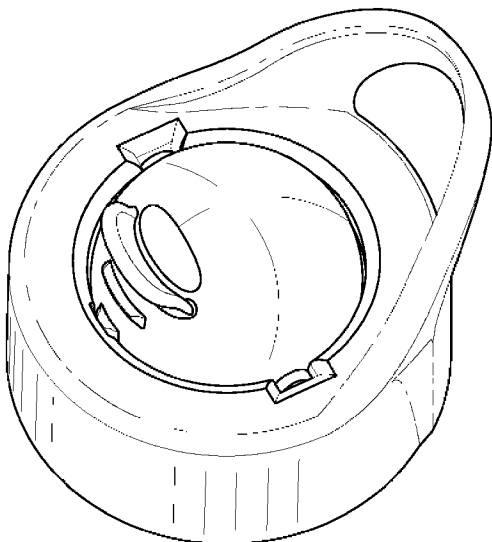


FIG. 1

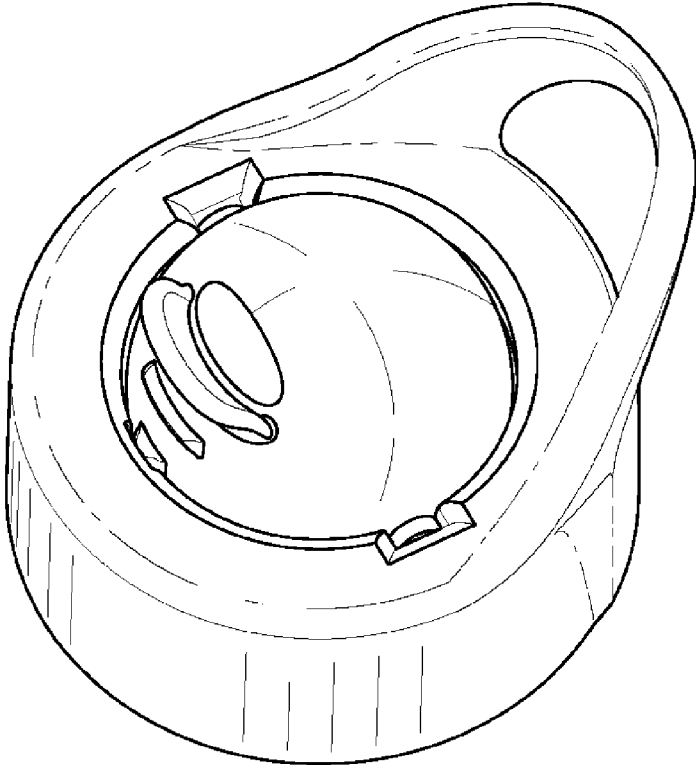


FIG. 2

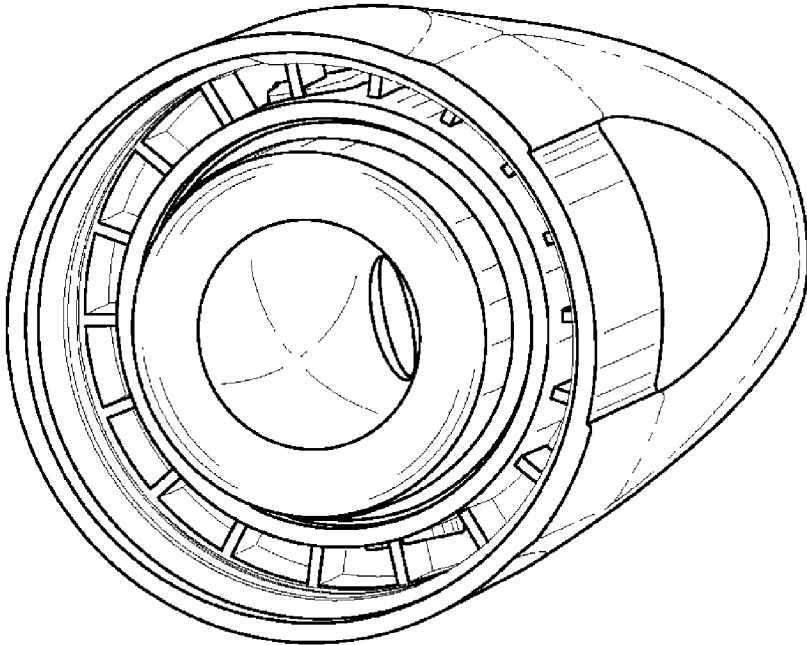


FIG. 3

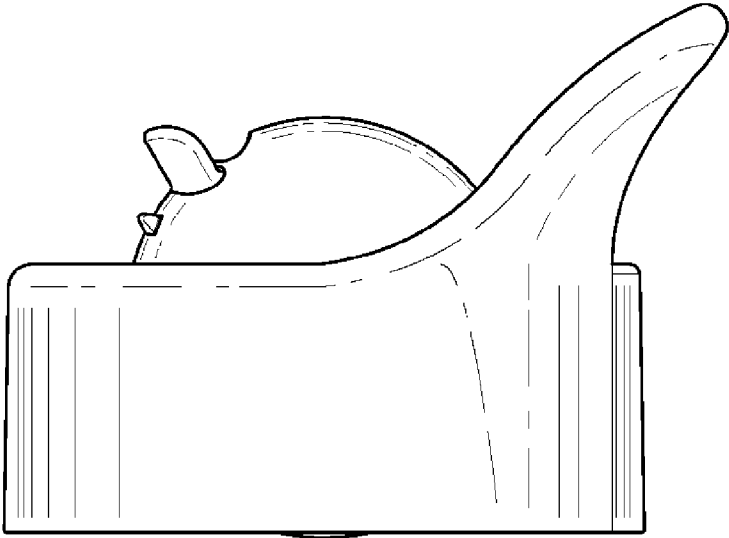


FIG. 4

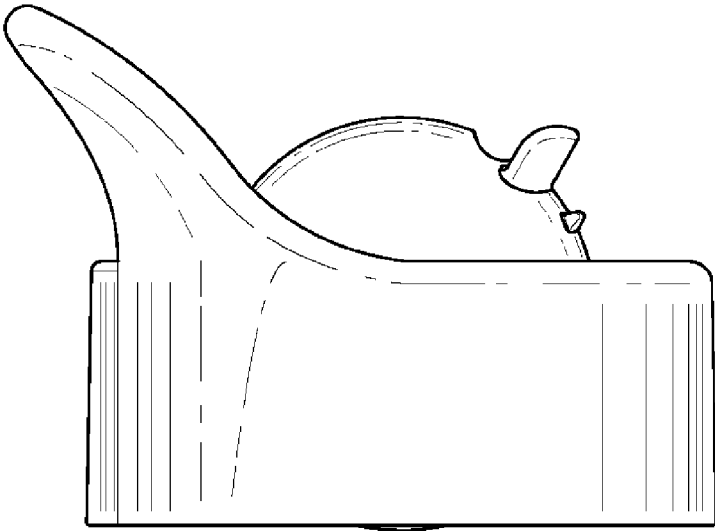


FIG. 5

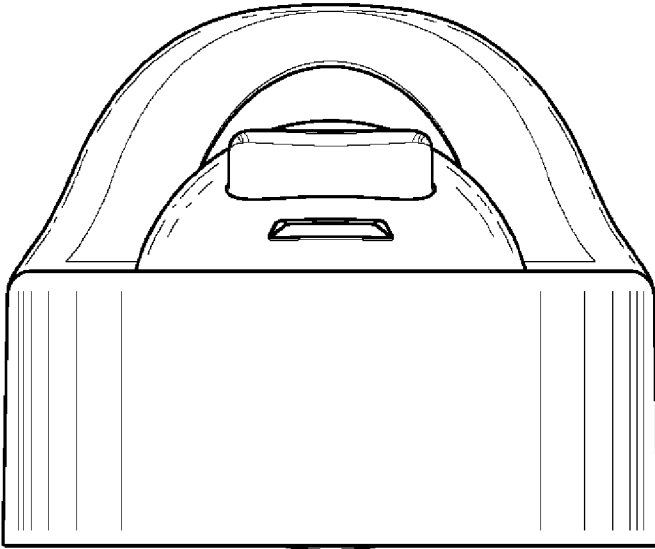


FIG. 6

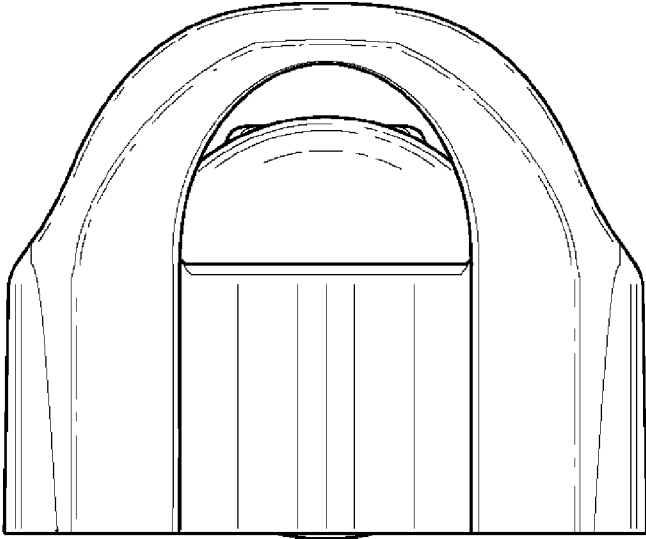


FIG. 7

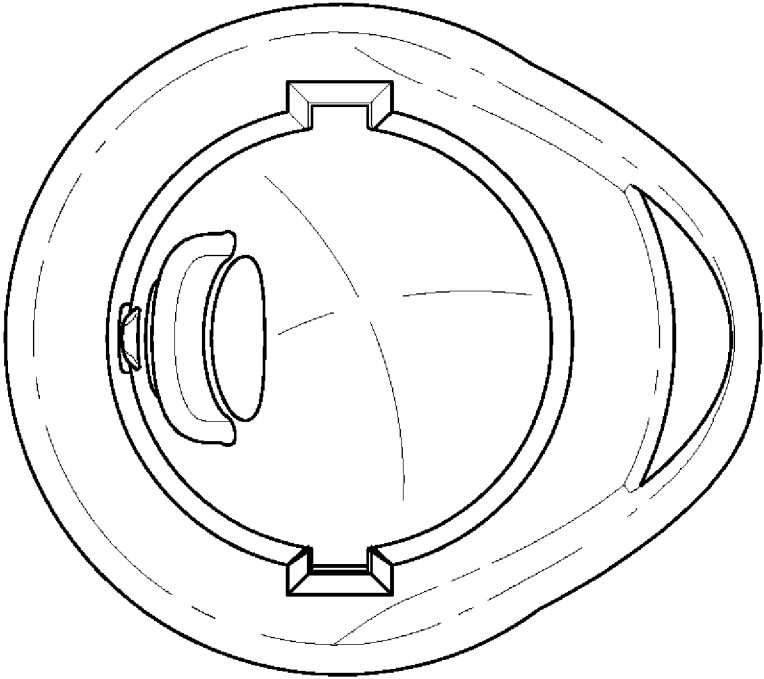


FIG. 8

